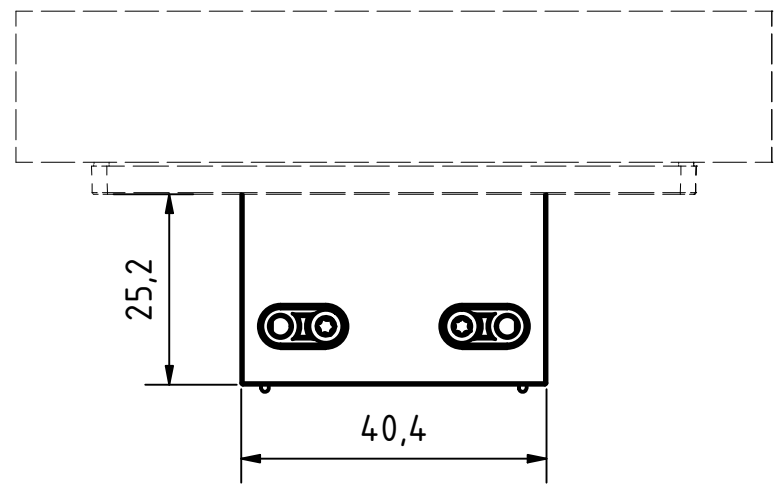
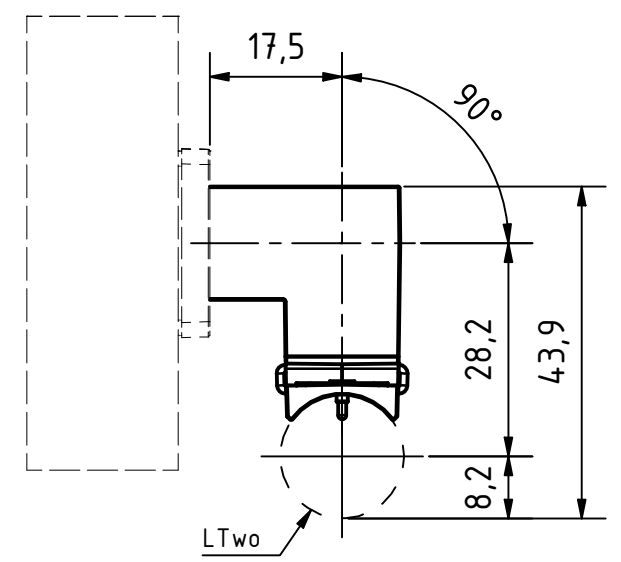
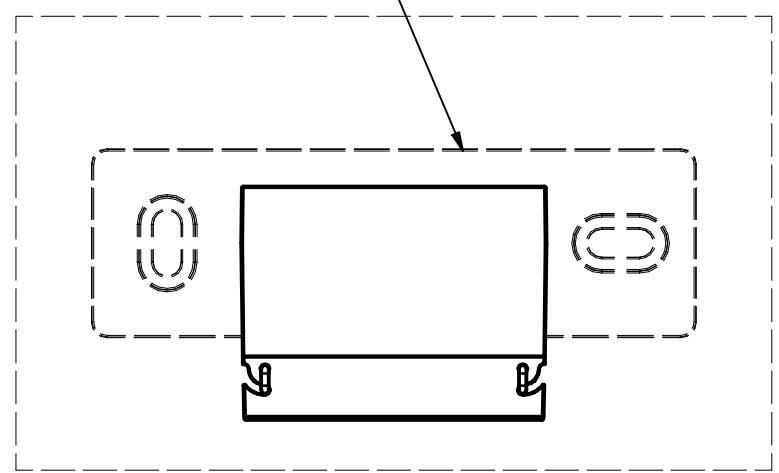


Compatible with all screw-on accessories.
 Example: rectangular mounting bracket surface.



INDEX	TITLE	DATE	NAME	apl		APL AG Lahnstr. 30 45478 Mülheim Germany	DATE	NAME	
							CREATOR	29.11.2023	Bleul
							CONTROL		
							APPROVAL		
LTwo® socket MS5 with 90° angle adapter									
								M = 1 : 1	1/1 A3