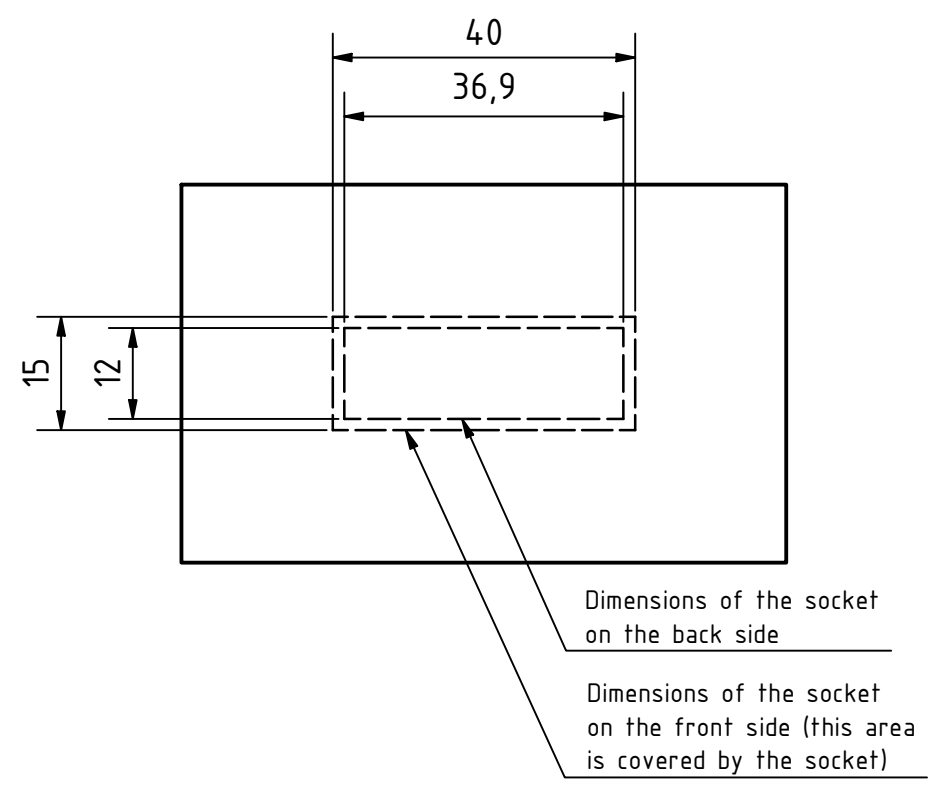
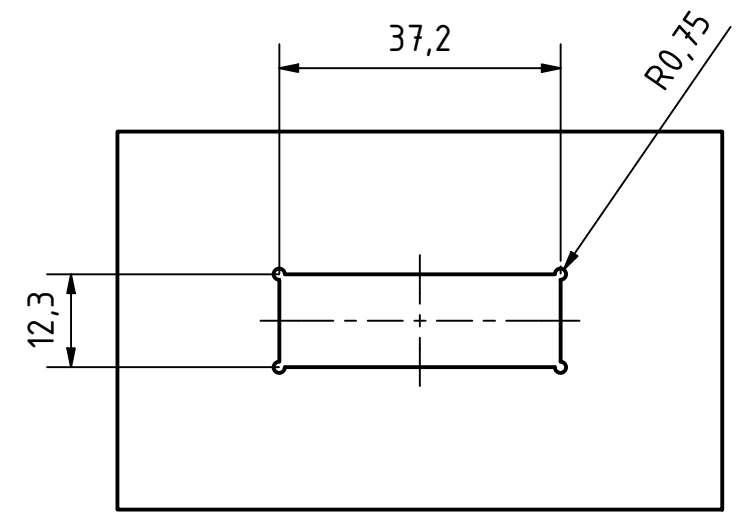


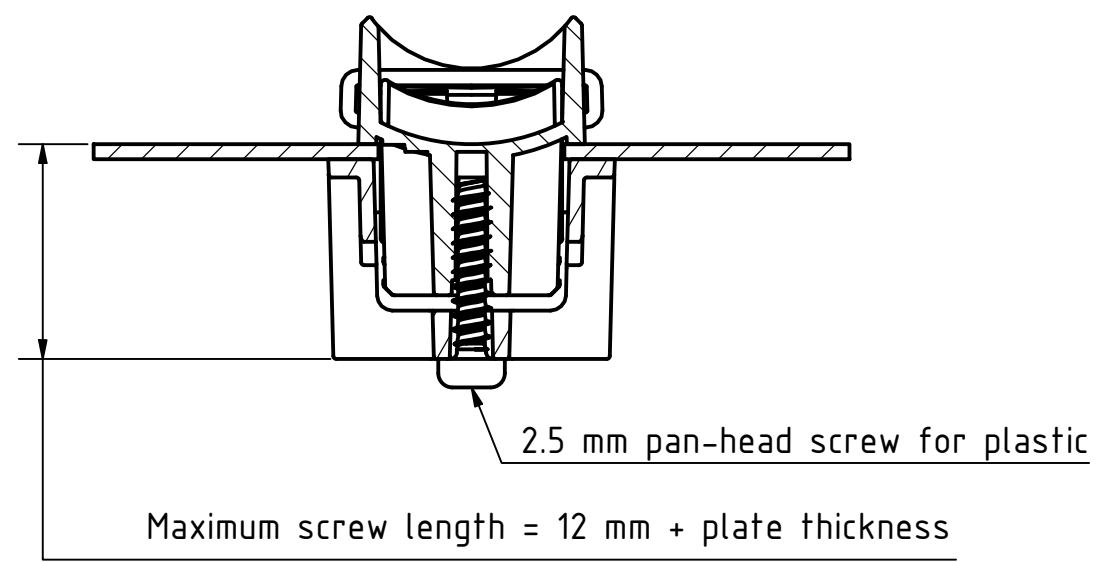
Dimensions for cutout



Laser cutting example



A-A (2 : 1)



INDEX	TITLE	DATE	NAME	APL AG Lahnstr. 30 45478 Mülheim Germany		DATE	NAME
				CREATOR		29.11.2023	Bleul
				CONTROL			
				APPROVAL			
				LTwo® socket MS5 with back side bracket for screw mount			
						M = 1 : 1	1/1 A3