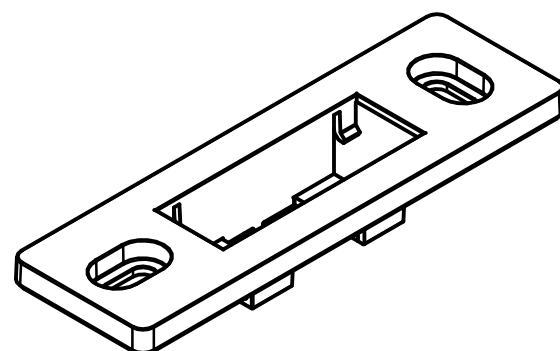
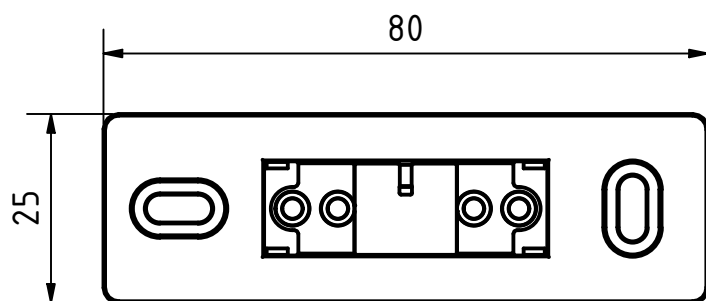
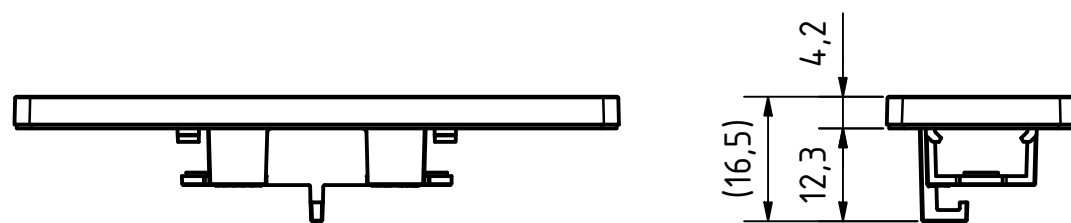
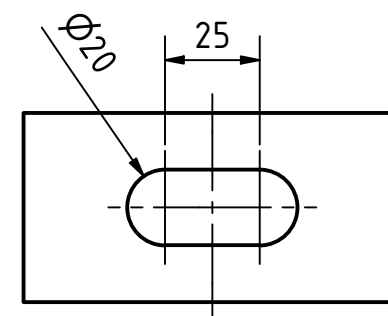
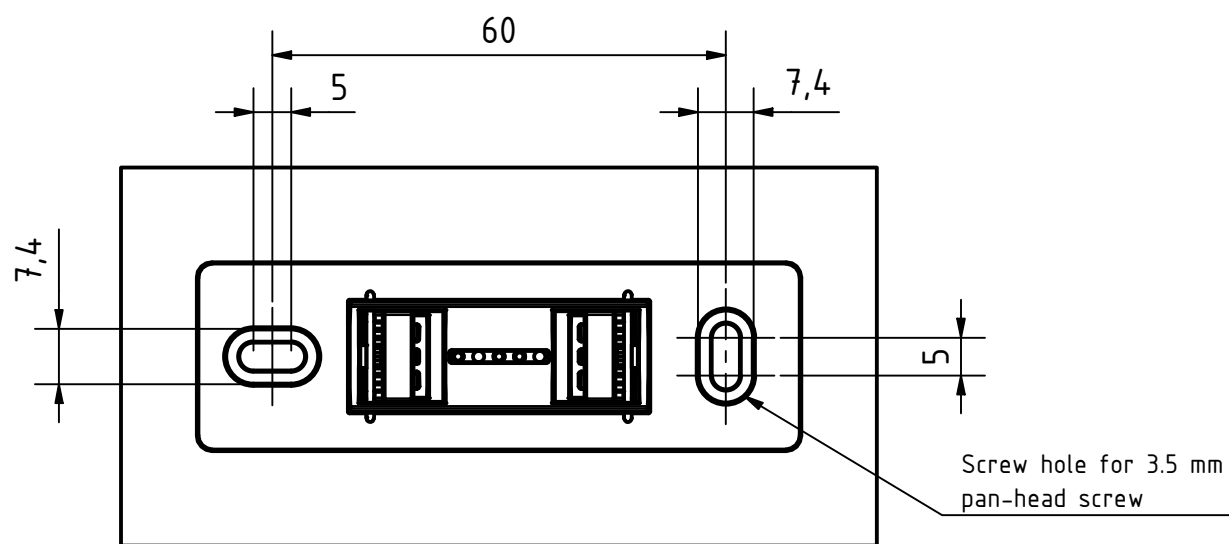


Cutout for surface mount (1 : 2)



INDEX	TITLE	DATE	NAME

apl
 APL AG
 Lahnstr. 30
 45478 Mülheim
 Germany

LTwo® socket MS5 with
 rectangular mounting
 bracket surface mount

	DATE	NAME
CREATOR	29.11.2023	Bleul
CONTROL		
APPROVAL		

M = 1 : 1
 1/1
A3