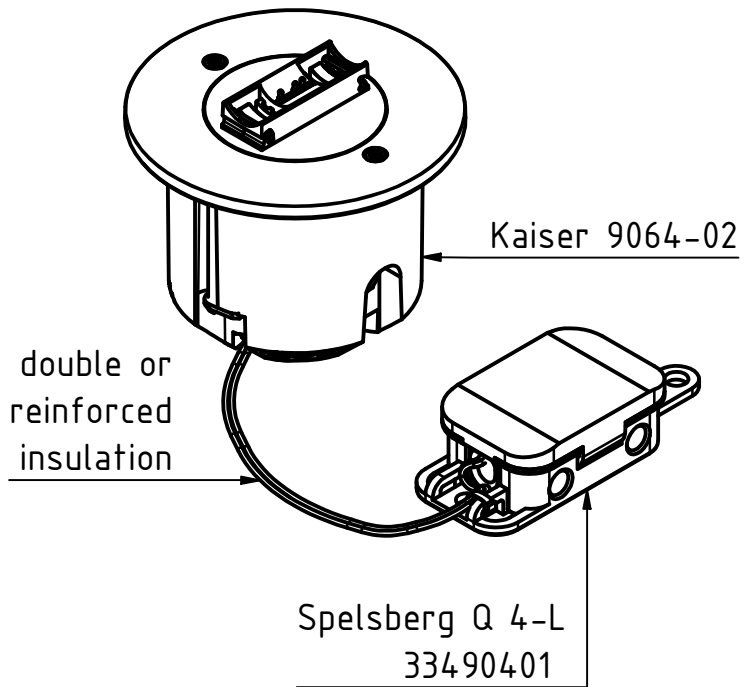
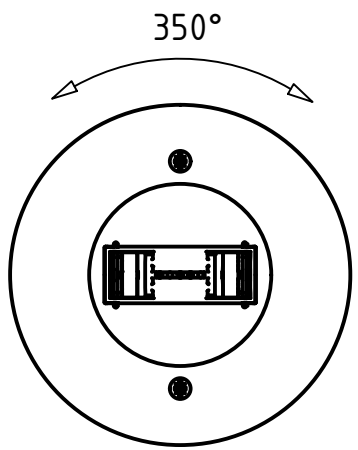
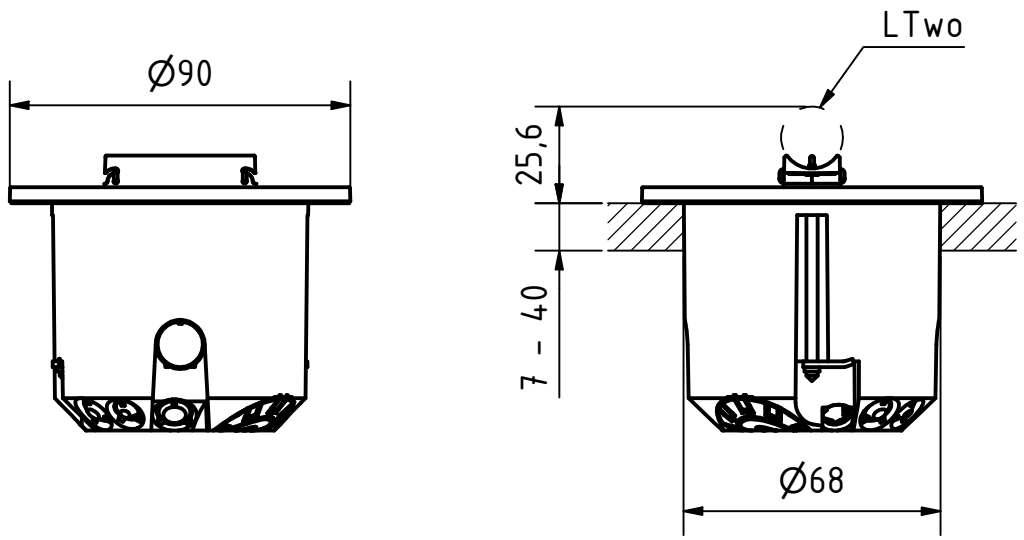


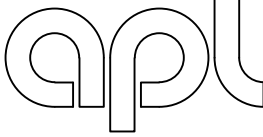
1 2 3 4

A  
B  
C  
D  
E

A  
B  
C  
D  
E




INDEX	TITLE	DATE	NAME



APL AG  
Lahnstr. 30  
45478 Mülheim  
Germany

	DATE	NAME
CREATOR	28.05.2025	Bleul
CONTROL		
APPROVAL		

Lumami® FLUSH BOX



M = 1 : 2

1/1
A4

1 2 3 4