

1

2

3

4

A

A

B

B

C

C

D

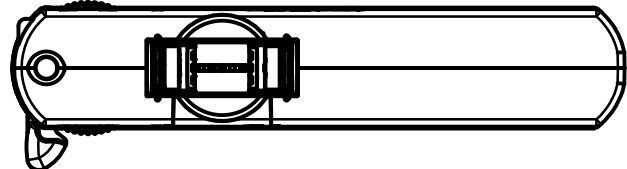
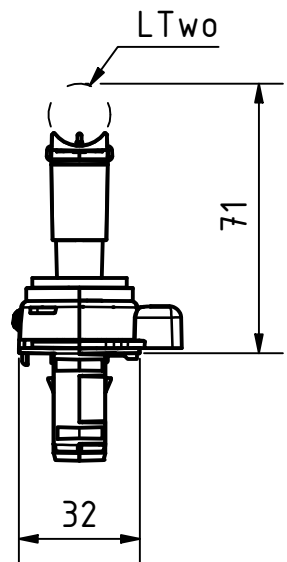
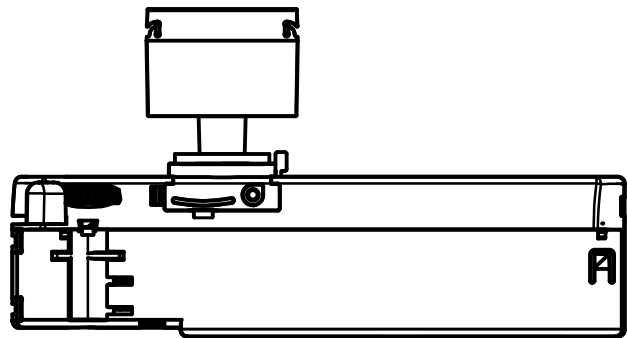
D

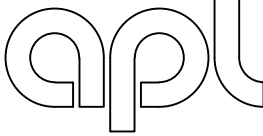

E

E

F

F



INDEX	TITLE	DATE	NAME		APL AG Lahnstr. 30 45478 Mülheim Germany		DATE	NAME	
						CREATOR	28.05.2025	Bleul	
						CONTROL			
				APPROVAL					
				Lumami® HV TRACK				M = 1 : 2	1/1
									A4

1

2

3

4