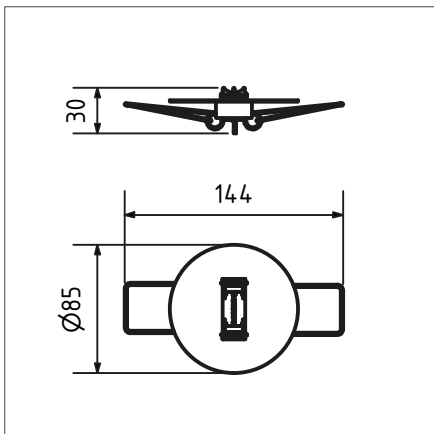


Lumami® DOWNLIGHT

constant voltage



Produktbeschreibung

Der lineare Einbaustrahler mit der magnetischen Lampenfassung MS5. Zur Verwendung der LTwo® MAG in Konstantspannung von 350 bis 4.600 Lumen und 12 verschiedenen Optiken (von Narrowsspot, über Wide Flood (UGR<19) bis Wallwasher).
Für ein Montageloch von 50 bis 70 mm Durchmesser. Andere Abmessungen auf Anfrage. Verfügbar in Weiß und Schwarz, in rund und eckig.

Product description

The linear recessed spotlight with the MS5 magnetic socket. For using the LTwo® MAG in constant voltage from 350 to 4,600 lumens and 12 different optics (from narrow spot to wide flood (UGR<19) and wallwasher).
For mounting holes from 50 to 70 mm diameter. Other dimensions on request. Available in white and black, round and square.

Produkteigenschaften / Product features



Product	OP	Color	Weight	L x W x H	Art. No.
Lumami DOWNLIGHT for constant voltage in 85mm round and white	CC	white	93 g	144 x 58 x 30 mm	13431
Lumami DOWNLIGHT for constant voltage in 85mm round and black	CC	black	93 g	144 x 58 x 30 mm	13432
Lumami DOWNLIGHT for constant voltage in 85mm square and white	CC	white	103 g	144 x 58 x 30 mm	13433
Lumami DOWNLIGHT for constant voltage in 85mm square and black	CC	black	103 g	144 x 58 x 30 mm	13434

Konfiguration der Leuchte / Configuration of the luminaire



Lumami®

1x Lumami® DOWNLIGHT for constant voltage



<https://apl.ag/products/lumami/downlight>

+



LTwo®

1x LTwo® MAG in constant voltage



<https://apl.ag/products/ltwo/ltwomag>

+



Accessorie

1x Pre-wired power supply unit in constant voltage



<https://apl.ag/products/accessories/psu>

=



Lumami® + LTwo® + Accessorie

Fertig konfigurierte Leuchte für dein Projekt.

Ready configured luminaire for your project.



