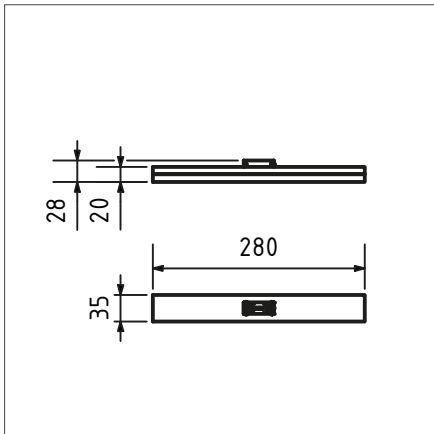


# Lumami® TRUNKING

## for cable trunking systems



### Produktbeschreibung

Lumami® TRUNKING mit der magnetischen Lampenfassung MS5 basiert auf handelsüblichen Kabelkanälen namhafter Hersteller. Dadurch lässt sich hochwertige Beleuchtung besonders einfach und kosteneffizient direkt in einen Kabelkanal integrieren. Zur Verwendung der LTwo® MAG in Konstantstrom oder Konstantspannung von 360 bis 6.400 Lumen und 12 verschiedenen Optiken (von Narrowsspot, über Wide Flood (UGR<19) bis Wallwasher).

### Product description

Lumami® TRUNKING with the MS5 magnetic socket is based on standard cable trunking systems from well-known manufacturers. This makes it particularly easy and cost-efficient to integrate high-quality lighting directly into a cable trunking system. For use with LTwo® MAG in constant current or constant voltage from 360 to 6,400 lumens and 12 different optics (from narrow spot to wide flood (UGR<19) to wallwasher).

### Produkteigenschaften / Product features



Product	OP	Color	Art. Nr.
Lumami TRUNKING for constant voltage with OBO WDK20035 in 35x20x280mm and white	CV	white	22523
Lumami TRUNKING for constant voltage with OBO WDK25040 in 40x25x280mm and white	CV	white	22524
Lumami TRUNKING for constant voltage with OBO WDK25040 in 40x25x280mm and black	CV	black	22525

## Konfiguration der Leuchte / *Configuration of the luminaire*



### Lumami®

1x Lumami® TRUNKING



<https://apl.ag/products/lumami/lumami-trunking/>

+



### LTwo®

1x LTwo® MAG



<https://apl.ag/products/ltwo/ltwomag>

+



### Accessorie

1x Pre-wired power supply unit in constant voltage



<https://apl.ag/products/accessories/psu>

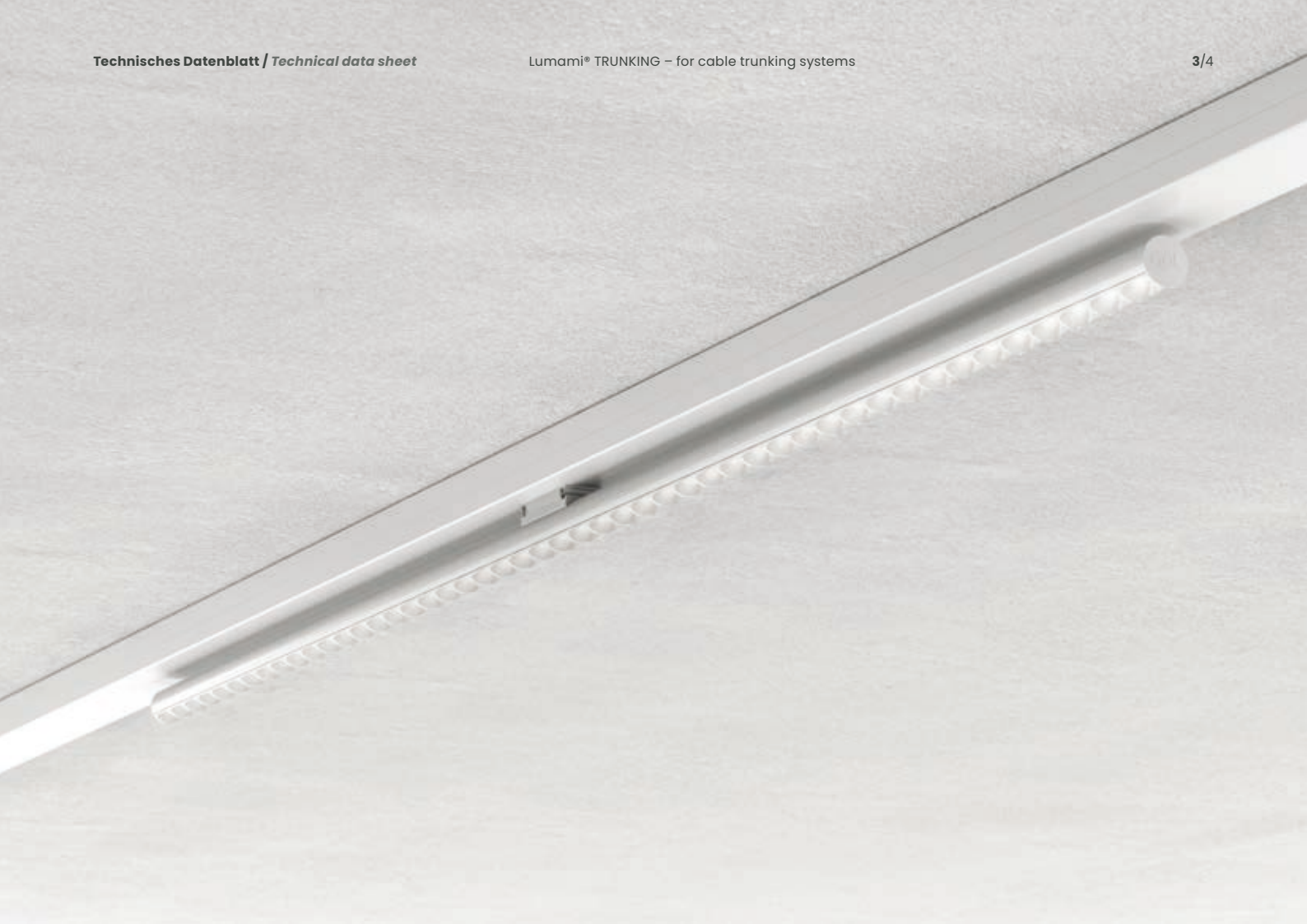
=

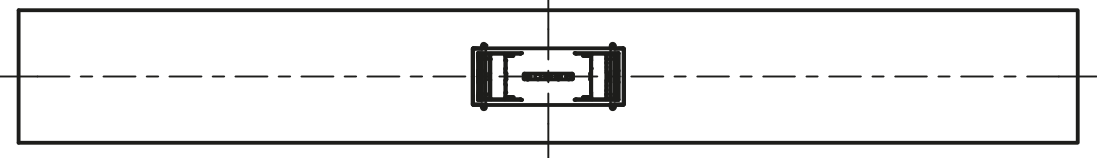
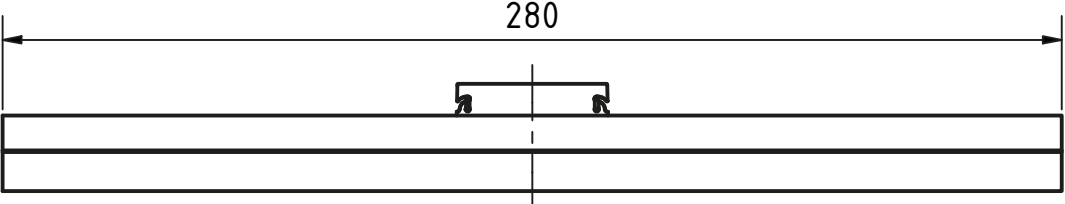


### Lumami® + LTwo® + Accessorie

Fertig konfigurierte Leuchte für dein Projekt.

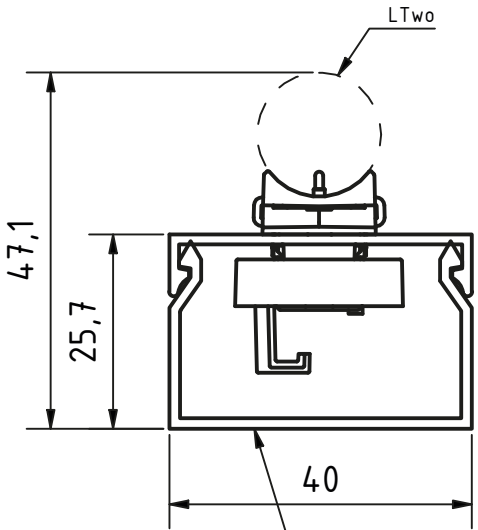
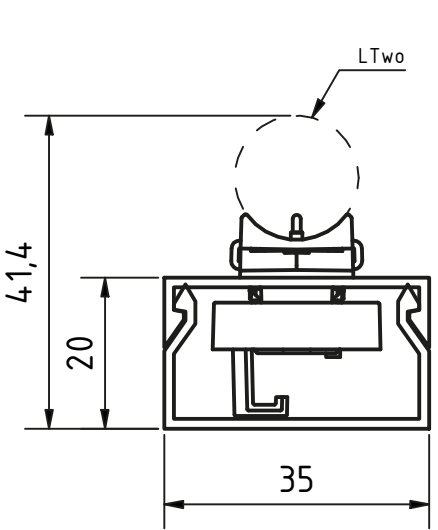
*Ready configured luminaire for your project.*



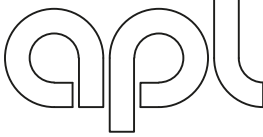



OBO Bettermann  
WDK20035

OBO Bettermann  
WDK25040



Suitable for slim PSU  
(30mm wide & 21mm high)

INDEX	TITLE	DATE	NAME	 APL AG Lahnstr. 30 45478 Mülheim Germany	DATE	NAME	
					CREATOR	28.05.2025	Bleul
					CONTROL		
				APPROVAL			
				Lumami® TRUNKING	 M = 1 : 2	1/1	
						A4	